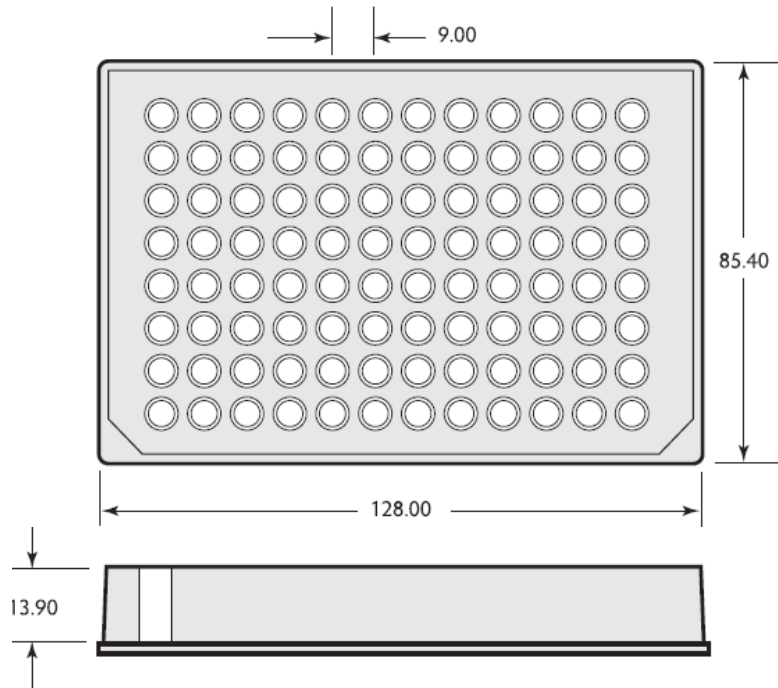


**General Arrangement Drawings  
Deepwell Plates for Chromatography-G3**

| Cat.No.    | Description   | A           | B          | F              | G1          | H                  | J                  | K                    | L            | M                       |
|------------|---|-------------|------------|----------------|-------------|--------------------|--------------------|----------------------|--------------|-------------------------|
|            |   | BASE LENGTH | BASE WIDTH | OVERALL HEIGHT | DIA TOP     | A - I LOCATION (X) | A - I LOCATION (Y) | WELL TO WELL SPACING | WELL DEPTH   | BOTTOM OF WELL DISTANCE |
| 60180-K200 | Microtiter-Plate, PP, 96 positions, filled with 0.1ml glass Micro-Insert, with assembled 9mm PE Cap red | 128.00      | 85.40      | 15.5 (Vial)    | 7.75 (Vial) | 14.70              | 11.50              | 9.00                 | 15.00 (Vial) | 2.5                     |

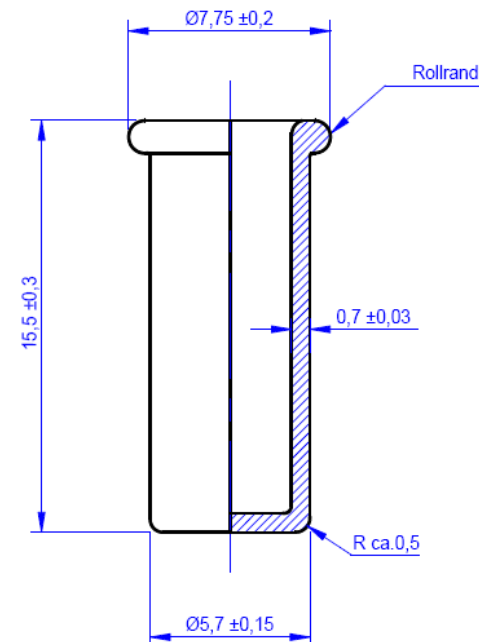
**60180-P404**



**60180-K200**



**60180-V108**



Notes.

Drawings are for instrument set-up purposes and are not manufacturing drawings

Thermo Fisher Scientific is providing information that has been supplied by the original manufacturer and is not responsible for subsequent changes or modifications.

All dimensions mm